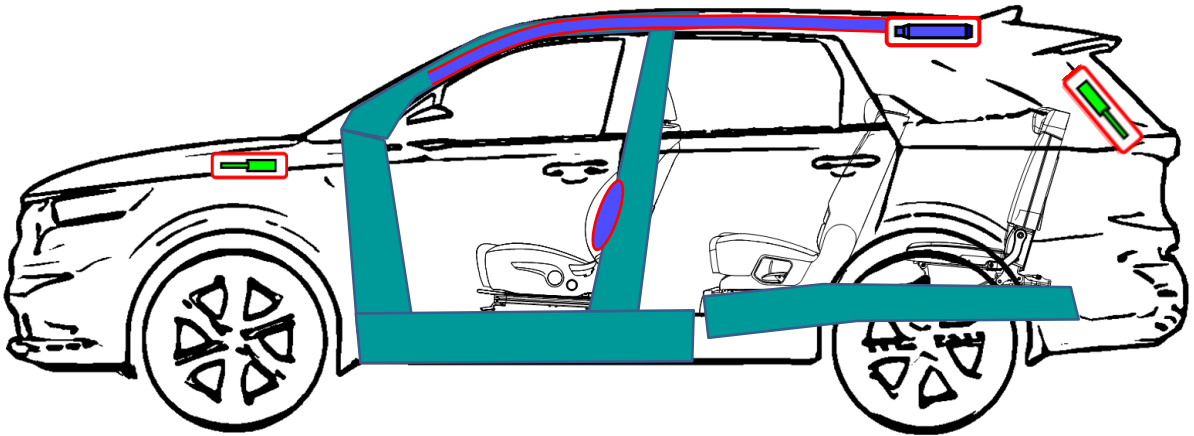
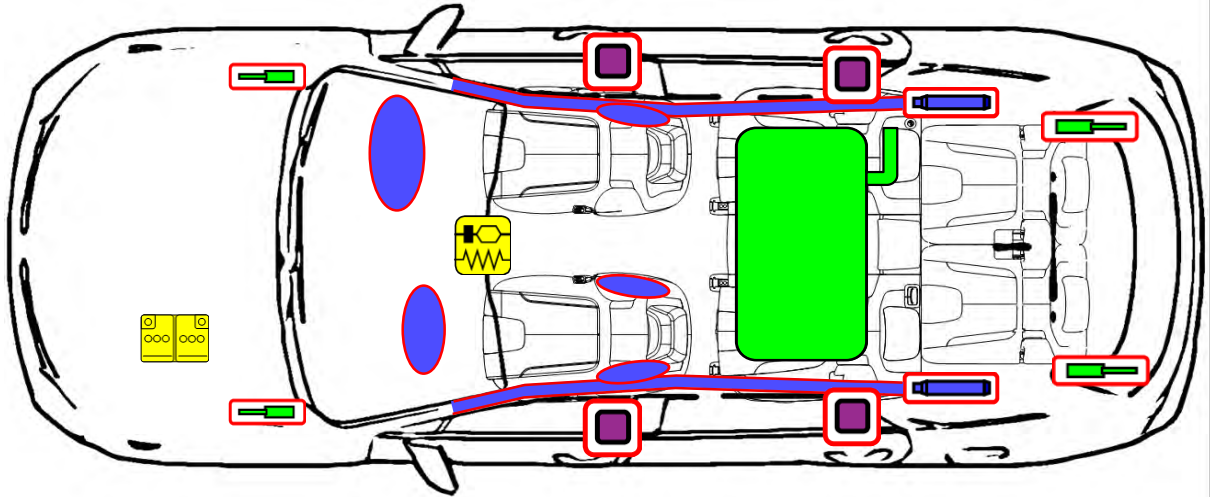




# Kia Sorento

SUV, 4 doors, 5 & 7 seats  
From August 2020



Reserved for holes (paper version)

	Airbag		Stored gas inflator		Seat belt pretensioner		SRS control unit		Pedestrian protection active system
	Automatic rollover protection system		Gas strut/Preloaded spring		High strength zone		Zone requiring special attention		
	Battery low voltage		Ultra capacitor, low voltage		Fuel tank		Gas tank		Safety valve
	High voltage battery pack		High voltage power cable/component		High voltage disconnect		Fuse box disabling high voltage system		Ultra capacitor, high voltage

ID No.	Version No.	Version date	Page
KNA-MQ4-RSI-01-202008	01	08/2020	1 of 4

# 1. Identification / recognition



# 2. Immobilisation / stabilisation / lifting

## ■ Immobilization

### 1 Parking pedal



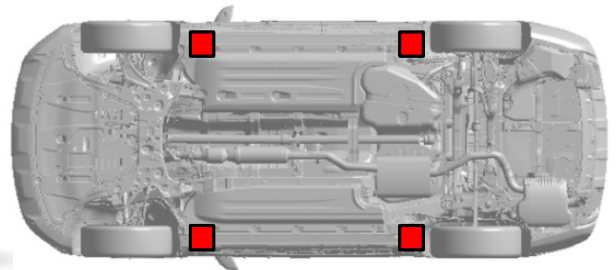
1. Move the shift lever to the P position.
2. Press the parking pedal to set the parking brake

### 2 EPB



1. Push the P button.
2. Chock the wheels and pull the switch to set the parking brake.

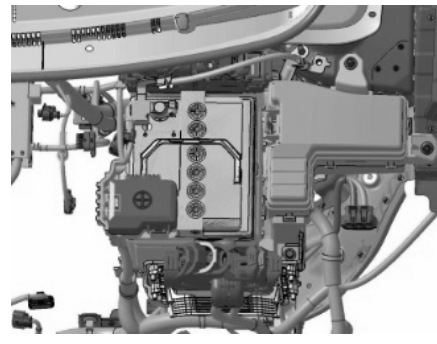
## ■ Lifting positions at car underbody: ■



	ID No.	Version No.	Version date	Page
	KNA-MQ4-RSI-01-202008	01	08/2020	2 of 4

### 3. Disable direct hazards / safety regulations

#### ■ Access to the battery

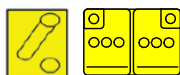


1. Pull the release lever to unlatch the hood. The hood should pop open slightly.

2. Raise the hood slightly, push the secondary latch up (①) inside of the hood center and lift the hood (②)

3. Battery in the engine compartment

#### ■ Disabling procedure



① Turn the ignition switch off

② Disconnect the negative(-) terminal

③ Disconnect the positive(+) terminal

### 4. Access to the occupants

#### ■ Glass

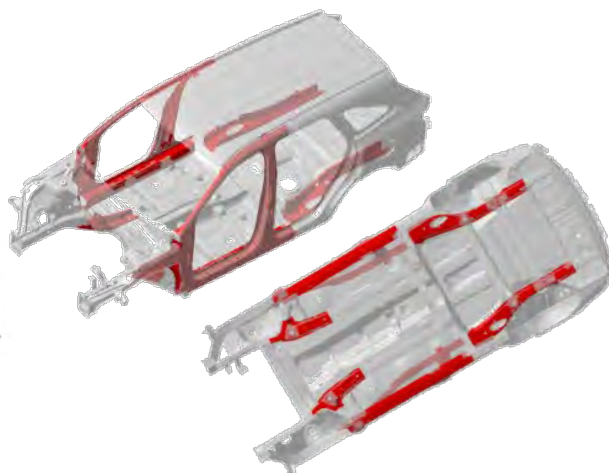
1 : Laminated

2 + 3 : Tempered



#### ■ Vehicle body

Hardened Steel



	ID No.	Version No.	Version date	Page
	KNA-MQ4-RSI-01-202008	01	08/2020	3 of 4

## 5. Stored energy / liquids / gases / solids

■ Fuel Tank

67ℓ

■ Battery



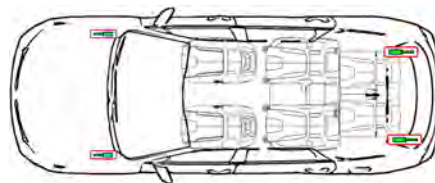
12 V

## 6. In case of fire

■ Gas Strut

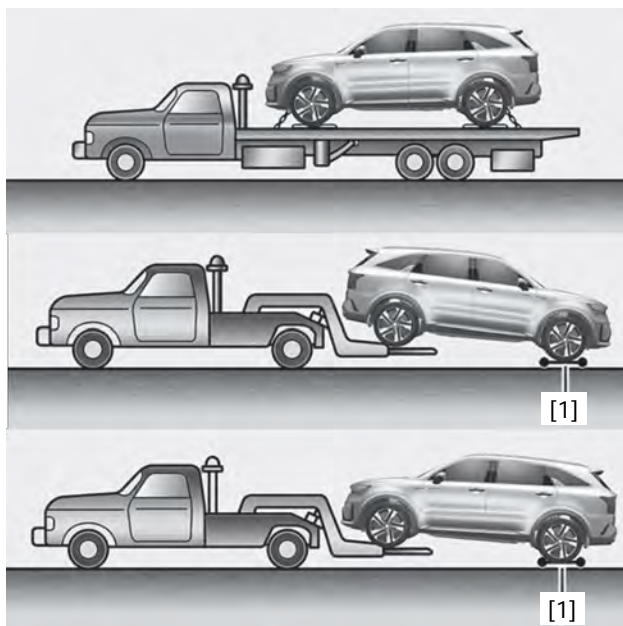


Risk of missile effect of hood and trunk.



## 8. Towing / transportation / storage

OK :



Not OK :



[1] : Dolly

	ID No.	Version No.	Version date	Page
	KNA-MQ4-RSI-01-202008	01	08/2020	4 of 4